

## DUAL 8" INVISIBLE SUBWOOFER SYSTEM

### Recommended Applications:

- Home Theater / Surround Sound
- Multi-Room Audio Systems
- Added Bass for Foreground Music Systems
- Added Bass for Background Music Systems

### Recommended Installations:

- Flush mounted in walls or ceilings constructed of wood or steel framing with 1/2" (12.7 mm) or thicker gypsum wallboard.
- Minimum 2-1/2" (63.5 mm) cavity depth required.

### Performance:

- 100 Watts RMS
- 20Hz to 160Hz (see Figure 1)
- 60W minimum recommended power

### On-Site Finish Options:

- Finish options include latex paint, flat finish, orange peel texture, light plaster, light wallpaper, light fabric, wood veneer, and other selected approved finishes.



Front view



Rear view

The Stealth Acoustics Model B30G is a two-panel monaural subwoofer speaker system that becomes completely invisible after installation. The subwoofer has a rigid frame that attaches directly to standard structural framing. The paintable active diaphragm face is bonded to the frame of the speaker panel, creating an active area surrounded by a stable mounting area. Installation instructions are shown on a paper overlay that is to be removed before installation. The overlay can also be used as a cutting template for retrofitting the speakers into existing wallboard.

The B30G may be installed in either the wall or ceiling and on-site finishing options include latex paint, light wallpaper, fabrics and selected texture coats. There is no need for special vellums or other nonstandard wallboard finishing materials. Advanced finishing methods may be supported using special techniques.

Ideal for any surround sound, foreground

music or whole-house audio system that needs extra bass output, each B30G panel incorporates two acoustically coupled, high-quality, low profile high-power 8" (203 mm) cone woofers. The panels work in pairs as a monaural output subwoofer. This two-panel system allows each panel to be placed wherever they perform best, free of visual concerns that may conflict with architectural features. B30G panels may be mounted separately or stacked to achieve desired acoustical results. For stereo subwoofers, four panels should be employed.

Using acoustic lever principals, the B30G provides exceptional bass output from 20Hz to 160Hz by trading off excursion for surface area to propagate bass waveforms. Each panel has 331 sq. in. (840 sq. cm) of active area for a total of 662 sq. in. (1680 sq. cm) for both panels - nearly twice that of a typical 12" (304 mm) woofer.

For proper registration, each speaker must be installed so that the surface of the **perimeter edge is flush** with the adjoining wallboard. When correctly in place, the surface of the speaker **face panel extends above** the height of the wallboard by 1/16" (1.6 mm). This is done to allow space for the tape and joint compound needed to blend the panel into the wall. Shims are included to allow for mounting in wallboard thicker than 1/2" (12.7 mm).

Stealth Acoustics recommends the companion model 255R 250-watt subwoofer amplifier/crossover as a matched amplifier for the B30G subwoofer speakers. Stealth Acoustics also offers a line of full-range speaker panels that when combined with the B30G, deliver a complete, totally invisible audio solution

All Stealth Acoustics products are covered by a 5 year manufacturer's warranty as well as an optional 15 year extended warranty.

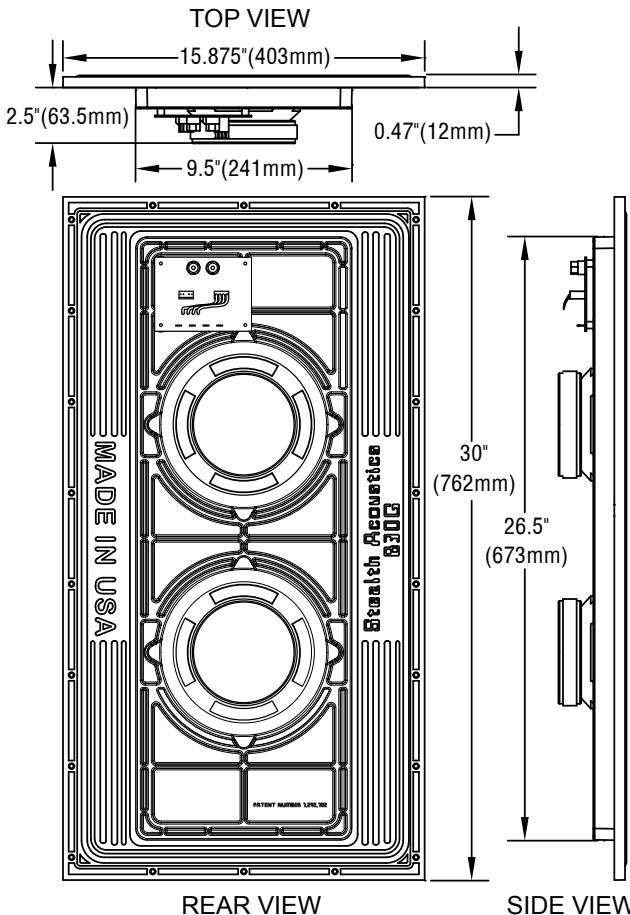


### Architectural & Engineering Specifications

The subwoofer shall be an invisible, low frequency flat-panel system, with an operating range from 20Hz to 160Hz. It shall be a two panel system with each panel having a total radiating surface of 331 sq. in (2135 sq. cm). Each panel shall be driven by two 8" (203 mm) woofers with a nominal impedance of 16Ω per panel and a power handling of 100 watts RMS according to EIA standard RS-426-A. The panels may be wired in parallel with an impedance of 4Ω.

The subwoofer shall fit into walls or ceilings with standard wood or steel stud construction and a minimum 2-1/2" (63.5 mm) depth cavity. The subwoofer shall mount directly to the structural framing and have the capability of seamlessly adjoining 1/2" (12.7 mm) or thicker gypsum wallboard. The minimum distance between framing members shall be 9-1/2" (241 mm). Face panel finishing methods shall be consistent with normal gypsum wallboard finishing techniques and may include latex paint, light wallpaper, light fabric, wood veneer, and other selected approved finishes.

The subwoofer shall be the Stealth Acoustics Model B30G and shall carry a 5 year manufacturer's warranty.



### Product Specifications

**Frequency Response:**

20Hz to 160Hz (see Figure 1)

**Power Capacity:**

100 watts RMS  
 60W minimum recommended power

**Sensitivity:**

86 dB (1 watt / 1 meter)

**Driver Components:**

Two 8" (203 mm) woofers with 1-1/2" (38 mm) voice coils per panel  
 Two ceramic 20 oz. (622 gr) magnets

**System Impedance:**

The impedance may be changed from 4Ω (in parallel) to 16Ω (in series) via a jumper on the back of each panel.

**Polar Dispersion:**

170 degrees vertical and horizontal

**Crossover Frequency:**

Requires amplifier with low pass filter. 50Hz with 18 dB slope recommended

**Dimensions:**

Width: 15-7/8" (403 mm)  
 Height: 30" (762 mm)  
 Mounting Depth: 2-7/16" (62 mm)

**Product Weight:**

20 lbs. (9.1 kg) each

**Shipping Weight:**

46 lbs. (20.8 kg) per pair

**Included Accessories:**

Mounting shims  
 Mounting screws  
 Terminal wrench

**Optional Accessories:**

- PS-30 PlaceSaver™
- 255R Stealth Acoustic Subwoofer Amplifier
- BX-30 MDF Acoustic Back Box
- MBX-30 UL Listed Metal Back Box
- MBA-30 UL Listed Metal Back Box - Adjustable
- MBC-30 Concrete Back Box
- SK-1 Shim Kit
- WARRANTY Extended Warranty - 15 year

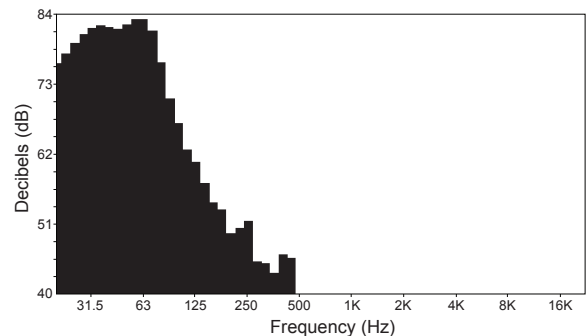


Figure 1: On-axis frequency response in standard stud wall, with four coats of latex paint applied to the speaker face panel.